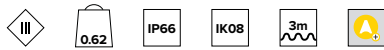
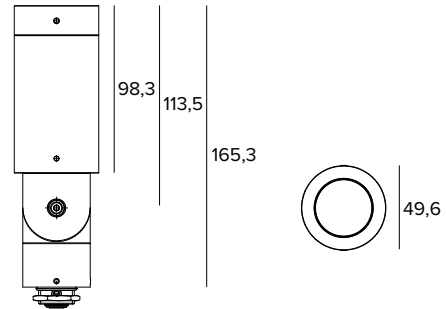


## 1E3782 | JUPITER PRO

### Professional adjustable LED projector



The fixture's photometric values can be found on the following pages



The figures on the drawing are expressed in mm.

#### SOURCE

Emitter Ra80.

**Energy efficiency class:** F

**Nominal power:** 10,3W

**Nominal flux:** 1056lm

**Colour rendering index:** 80

**CCT nominal:** 2700K

**Lifetime (L80/B10):** >50000h tq +25°C

#### ILLUMINOTECHNICAL CHARACTERISTICS

Multi-optic version: SP, FL, and MWFL - tool-free accessible optical compartment with IP66 protection rating, even removing the front piece. Equipped with PMMA lens and interchangeable holographic filters with different degrees of diffusion to obtain the different apertures available.

**Optic:** LENS

**Beam angles:** SP, FL, MWFL

**Optical efficiency:** See photometries

**Fixture flux:** See photometries

**Luminous efficacy:** See photometries

**Photobiological safety:** Compliant with RG1 low risk group

#### MECHANICAL CHARACTERISTICS

Frame and joint in aluminium with CNC machining, anodised and painted.  $\pm 360^\circ$  rotation on the horizontal plane and  $180^\circ$  on the vertical plane.

**Colour and finish:** Bronze

**Dimensions:**  $\varnothing 50$

**Weight:** 0.62Kg

**Version:** MULTIOPTIC

**Degree of protection:** IP66

**Mechanical Resistance:** IK08

#### ELECTRICAL CHARACTERISTICS

24V resin driver card built into the product. Pre-wired with 3m of 2-pole 18AWG cable with built-in acquastop device.

**Fixture Power:** 12W

**Power supply:** 24Vdc

**Insulation Class:** CLASS 3

**Driver included:** NO

**Class F:** YES

**Ambient temperature:** -25°C / +35°C

#### INSTALLATION

Joint at the base of the product equipped with hexagonal socket screw for positioning. The product may be installed using our accessories: plate for mounting on surfaces or spike for in-ground installation. It is also possible to install the product with any other support with a G 1/2 shank hole.

#### NOTES

Dimmable with a special accessory kit. Casambi control system available using a dedicated accessory (only with DALI dimmer). Uses the "Waterblock Smart" technical solution that involves resin coating the connection cables, limiting the risk of humidity reaching the driver or the fixture. 110-277Vac version available on request. Commissioning of the control system via free APP; the intervention of a specialist technician can be quoted on request.

#### WARRANTY

5 years.

#### WARNING

Luminaire designed for disposal/recycling at end-of-life. Replaceable (LED only) light source by a professional.

Due to the technological evolution of the electronic components, the data provided may be updated, and as such, confirmation must be requested during the order process.

Luminous flux and power supply have +/-10% tolerances with respect to the indicated value. tq +25°C (CIE 121).

We reserve the right to make technical changes.

Targetti Sankey S.r.l.  
Via Pratese, 164  
50145 Firenze - Italy  
Tel: +39 055 37911  
targetti.com  
targetti@targetti.com

CCIAA Firenze  
Share Capital:  
€ 500.000,00  
VAT N. (IT):  
01537660480  
R.E.A: FI-275656

**TARGETTI**

## 1E3782 | JUPITER PRO

### Professional adjustable LED projector

		2700K	H(m)	D(m)	Emax(lx)
		Ra80		15°	
Fixture Power	12W	1	0.27	7702	
Source Flux	1056lm	2	0.54	1926	
Fixture Flux	790lm	3	0.81	856	
Efficacy	66lm/W	4	1.08	481	
TS1187	Imax=7292cd/klm	Imax	7702cd	5	1.35

		2700K	H(m)	D(m)	Emax(lx)
		Ra80		24°	
Fixture Power	12W	1	0.43	3045	
Source Flux	1056lm	2	0.85	761	
Fixture Flux	747lm	3	1.28	338	
Efficacy	62lm/W	4	1.71	190	
TS1188	Imax=2883cd/klm	Imax	3045cd	5	2.14

#### SP

Fixture flux	790lm
Luminous efficacy	66lm/W
Optical efficiency	75%

#### FL / 24

Fixture flux	747lm
Luminous efficacy	62lm/W
Optical efficiency	71%

		2700K	H(m)	D(m)	Emax(lx)
		Ra80		31°	
Fixture Power	12W	1	0.55	2024	
Source Flux	1056lm	2	1.09	506	
Fixture Flux	753lm	3	1.64	225	
Efficacy	63lm/W	4	2.18	127	
TS1189	Imax=1916cd/klm	Imax	2024cd	5	2.73

		2700K	H(m)	D(m)	Emax(lx)
		Ra80		44°	
Fixture Power	12W	1	0.82	1066	
Source Flux	1056lm	2	1.63	266	
Fixture Flux	737lm	3	2.45	118	
Efficacy	61lm/W	4	3.27	67	
TS1190	Imax=1009cd/klm	Imax	1066cd	5	4.08

#### FL / 31

Fixture flux	753lm
Luminous efficacy	63lm/W
Optical efficiency	71%

#### MWFL

Fixture flux	737lm
Luminous efficacy	61lm/W
Optical efficiency	70%

Due to the technological evolution of the electronic components, the data provided may be updated, and as such, confirmation must be requested during the order process.

Luminous flux and power supply have +/-10% tolerances with respect to the indicated value. tq +25°C (CIE 121).

We reserve the right to make technical changes.

Targetti Sankey S.r.l.  
Via Pratese, 164  
50145 Firenze - Italy  
Tel: +39 055 37911  
targetti.com  
targetti@targetti.com

CCIAA Firenze  
Share Capital:  
€ 500.000,00  
VAT N. (IT):  
01537660480  
R.E.A.: FI-275656

# TARGETTI

# 1E3782 | JUPITER PRO

## Professional adjustable LED projector

### Related codes

#### Mounting System



Ø mm	H mm	Colour	Code
50	232	●	<b>1E3785BT</b>
50	232	●	<b>1E3803</b>

Earthspike.  
Powder coated stainless steel.



Colour	Code
●	<b>1E3804</b>

Plate for fixture rotation (surface installation).  
Powder coated stainless steel.

#### Power Supply



Dimensions LxHxP mm	Power	Power supply	Output voltage	IP	Code
122x26x54	17W	220-240Vac	24Vdc	IP68	<b>1E4397EL</b>

Electronic ON-OFF power supply.

Dimensions LxHxP mm	Power	Power supply	Output voltage	IP	Code
185x22x64	50W	220-240Vac	24Vdc	IP20	<b>1T3726</b>
140x32x63	75W	220-240Vac	24Vdc	IP67	<b>1T3586</b>
230x87x43	100W	220-240Vac	24Vdc	IP67	<b>1T3587</b>
238x42x67	200W	220-240Vac	24Vdc	IP67	<b>1T3588</b>

Electronic ON-OFF power supply.

### Accessories

#### Filter



Code
<b>1E3790</b>

Blade of light filter.  
PMMA holographic filter for a blade of light effect.  
Diameter 36mm.

#### Grid



Code
<b>1E3792</b>

Anti-glare louver.  
Black painted metal honeycomb structure.  
Ready to be housed inside the optical compartment.  
Diameter 36mm.

#### Screen



Colour	Code
●	<b>1E3806</b>

Asymmetric screen.  
Powder coated stainless steel.  
Diameter 36mm.

Due to the technological evolution of the electronic components, the data provided may be updated, and as such, confirmation must be requested during the order process.  
Luminous flux and power supply have +/-10% tolerances with respect to the indicated value. tq +25°C (CIE 121).

We reserve the right to make technical changes.

Targetti Sankey S.r.l.  
Via Pratese, 164  
50145 Firenze - Italy  
Tel: +39 055 37911  
targetti.com  
targetti@targetti.com

CCIAA Firenze  
Share Capital:  
€ 500.000,00  
VAT N. (IT):  
01537660480  
R.E.A.: FI-275656



## 1E3782 | JUPITER PRO

### Professional adjustable LED projector

#### Connector



Code

**1E2769**

Linear connection box IP66/IP68.  
5 poles max. wire section 1.5mm<sup>2</sup>.  
Cable diameter range from 7 to 12mm.



Code

**1E2494**

Multiple connection box IP68.  
1 IN - 3 OUT 4 poles max. wire section 2.5mm<sup>2</sup>.  
Cable diameter range from 6 to 12mm.

#### Tool



Code

**1E3305**

Tightening wrench for the connector kit.

#### Control systems



Code

**1T6581**

Dimmer for 12-24Vdc constant voltage LED driver.  
1-10V/DALI control input.  
IP20

Code

**1E3048**

IP67 wireless control unit with DALI interface.  
It generates a local DALI2 bus, enabling a direct connection to a DALI interface LED driver.  
The module can only be used in a closed system and cannot be connected to an existing DALI network.  
The module is wireless controlled using a Casambi app for smartphones and tablets using Bluetooth 5.0 technology.  
The devices automatically create an adaptive, robust, and reliable wireless mesh network, allowing for the easy and efficient management of a high number of fixtures. The control unit is preset to the DALI 1CH profile, meaning the device can control a single DALI driver with broadcast commands.  
In addition to the DALI broadcast, other operating modes are available, such as:

- Button (normally open)
- Control unit 0/1-10V
- Control unit DALI Tunable White DT8
- Presence sensor

Due to the technological evolution of the electronic components, the data provided may be updated, and as such, confirmation must be requested during the order process.

Luminous flux and power supply have +/-10% tolerances with respect to the indicated value. tq +25°C (CIE 121).

We reserve the right to make technical changes.

Targetti Sankey S.r.l.  
Via Pratese, 164  
50145 Firenze - Italy  
Tel: +39 055 37911  
targetti.com  
targetti@targetti.com

CCIAA Firenze  
Share Capital:  
€ 500.000,00  
VAT N. (IT):  
01537660480  
R.E.A: FI-275656

# TARGETTI

## 1E3782 | JUPITER PRO

### Professional adjustable LED projector

#### Control systems



Code

**1E4369**

IP67 Extender for wireless control of LED driver with dimming DALI interface based on Casambi technology.

It has a DALI2 output with the capacity to control up to 40 lighting fixtures.

With the addition of a further external BUS DALI power supply it is possible to control up to 64 fixtures.

IP67 Extender is preset to the DALI broadcast profile, meaning all the luminaires connected to it are dimmable at the same level.

In addition to the DALI broadcast other operating modes are available, such as:

- EXTENDER DALI 8CH
- EXTENDER DALI Tunable White
- EXTENDER DALI 4CH
- EXTENDER DALI DT8 Tunable White

*Due to the technological evolution of the electronic components, the data provided may be updated, and as such, confirmation must be requested during the order process.*

*Luminous flux and power supply have +/-10% tolerances with respect to the indicated value. tq +25°C (CIE 121).*

*We reserve the right to make technical changes.*

Targetti Sankey S.r.l.  
Via Pratese, 164  
50145 Firenze - Italy  
Tel: +39 055 37911  
targetti.com  
targetti@targetti.com

CCIAA Firenze  
Share Capital:  
€ 500.000,00  
VAT N. (IT):  
01537660480  
R.E.A.: FI-275656

# TARGETTI